

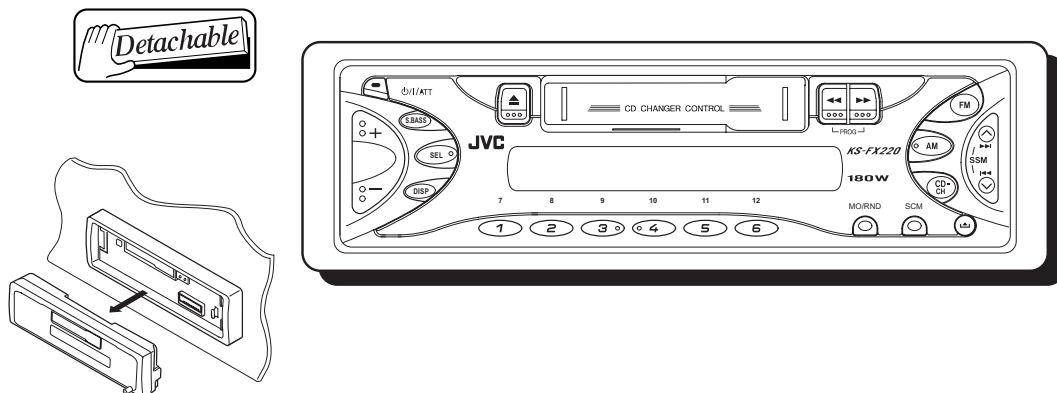
# JVC

# SCHEMATIC DIAGRAMS

## CASSETTE RECEIVER

# KS-FX220

CD-ROM No.SML200301



**Area Suffix**  
 J ..... Northern America

### Contents

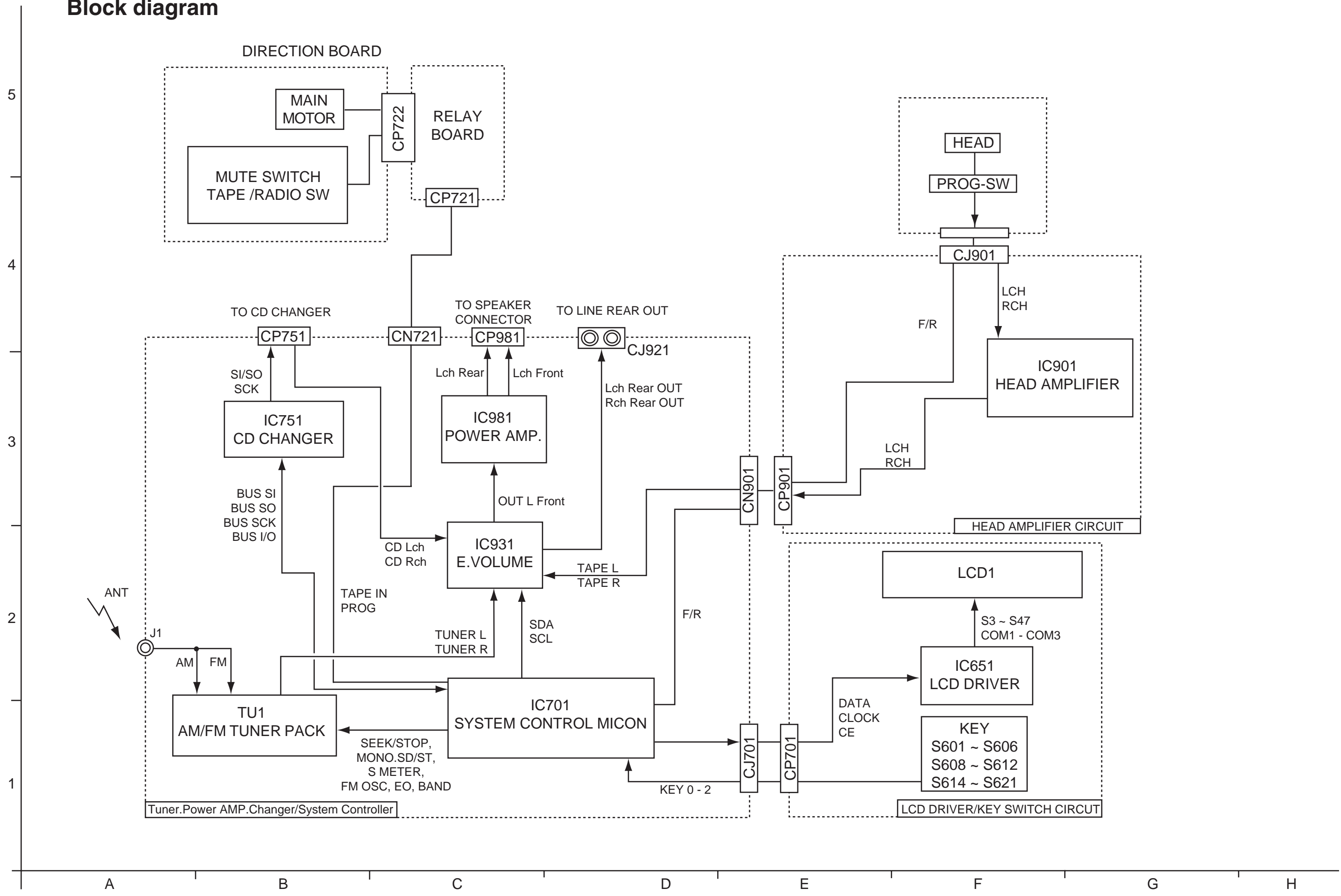
Block diagrams .....	2-1
Standard schematic diagrams .....	2-2
Printed circuit boards .....	2-5,6

## Safety precaution



**CAUTION** Burrs formed during molding may be left over on some parts of the chassis. Therefore, pay attention to such burrs in the case of performing repair of this system.

**Block diagram**



# Standard schematic diagrams

## Main amp section

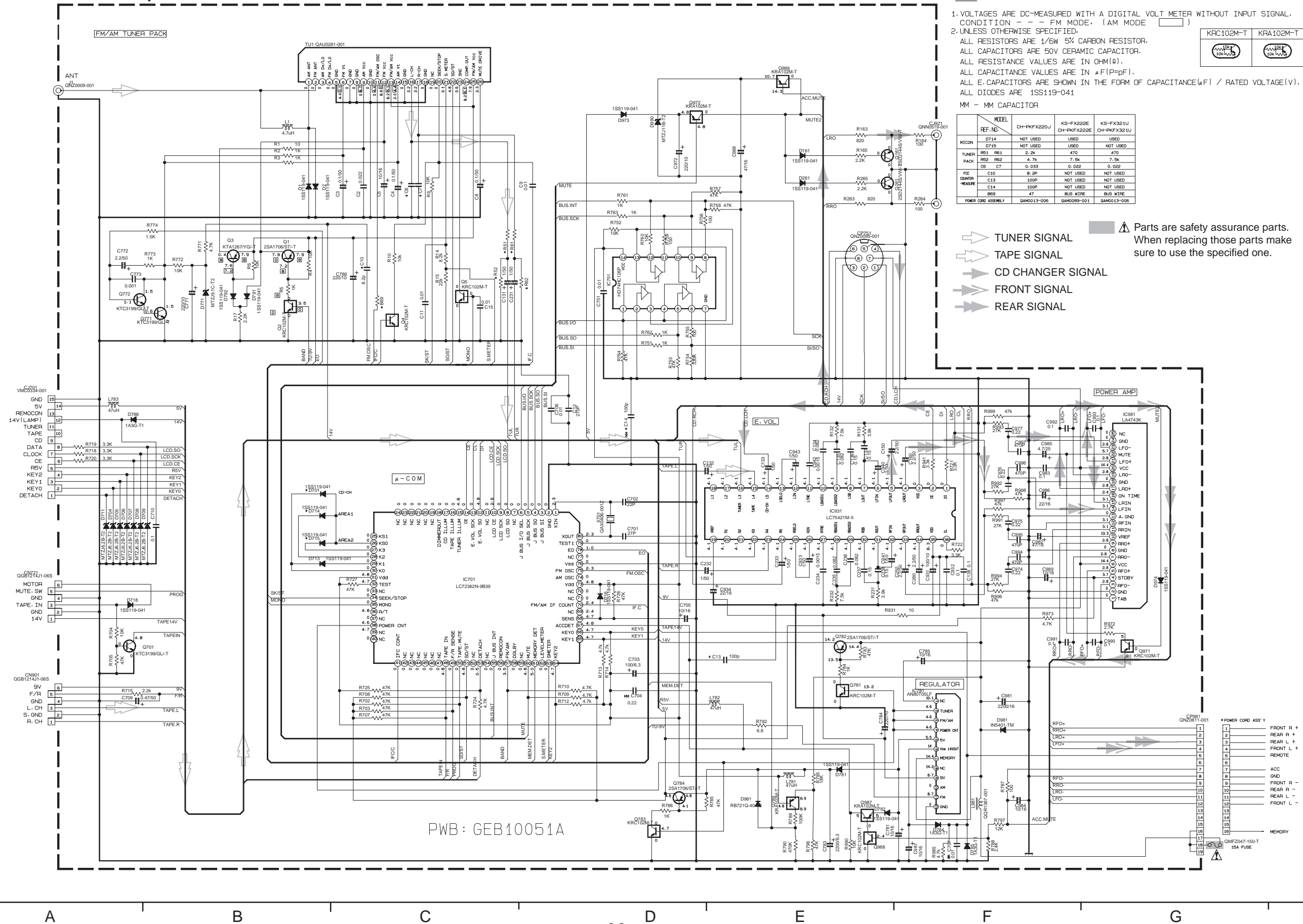
5

4

3

2

1



**NOTES**

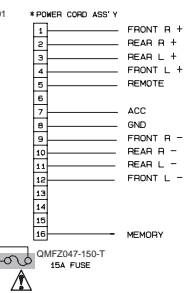
- VOLTAGES ARE DC-MEASURED WITH A DIGITAL VOLT METER WITHOUT INPUT SIGNAL. CONDITION --- FM MODE. (AM MODE )
- UNLESS OTHERWISE SPECIFIED, ALL RESISTORS ARE 1/6W 5% CARBON RESISTOR. ALL CAPACITORS ARE 50V CERAMIC CAPACITOR. ALL RESISTANCE VALUES ARE IN OHM(Ω). ALL CAPACITANCE VALUES ARE IN pF(P=pF). ALL E. CAPACITORS ARE SHOWN IN THE FORM OF CAPACITANCE(μF) / RATED VOLTAGE(V). ALL DIODES ARE 1SS119-041

MM - MM CAPACITOR

MODEL	CH-PKF220J	KS-FX220E	KS-FX31U
REF. NO.	CH-PKF220E	CH-PKF220E	CH-PKF321U
MICOM	D714 NOT USED	USED	USED
D715	NOT USED	USED	NOT USED
TUNER	R51 R61 2.2K	470	470
PACK	R52 R62 4.7K	7.5K	7.5K
CE	C7 0.033	0.022	0.022
C10	8.2P	NOT USED	NOT USED
IC	C13 100P	NOT USED	NOT USED
C14	100P	NOT USED	NOT USED
B69	47	BUS WIRE	BUS WIRE
POWER COFD ASSEMBLY	GA0013-006	GA0009P-001	GA0013-006

- ▶ TUNER SIGNAL
  - ▶ TAPE SIGNAL
  - ▶ CD CHANGER SIGNAL
  - ▶ FRONT SIGNAL
  - ▶ REAR SIGNAL
- ▲ Parts are safety assurance parts. When replacing those parts make sure to use the specified one.

PWB: GEB10051A



■ LCD & Key control section

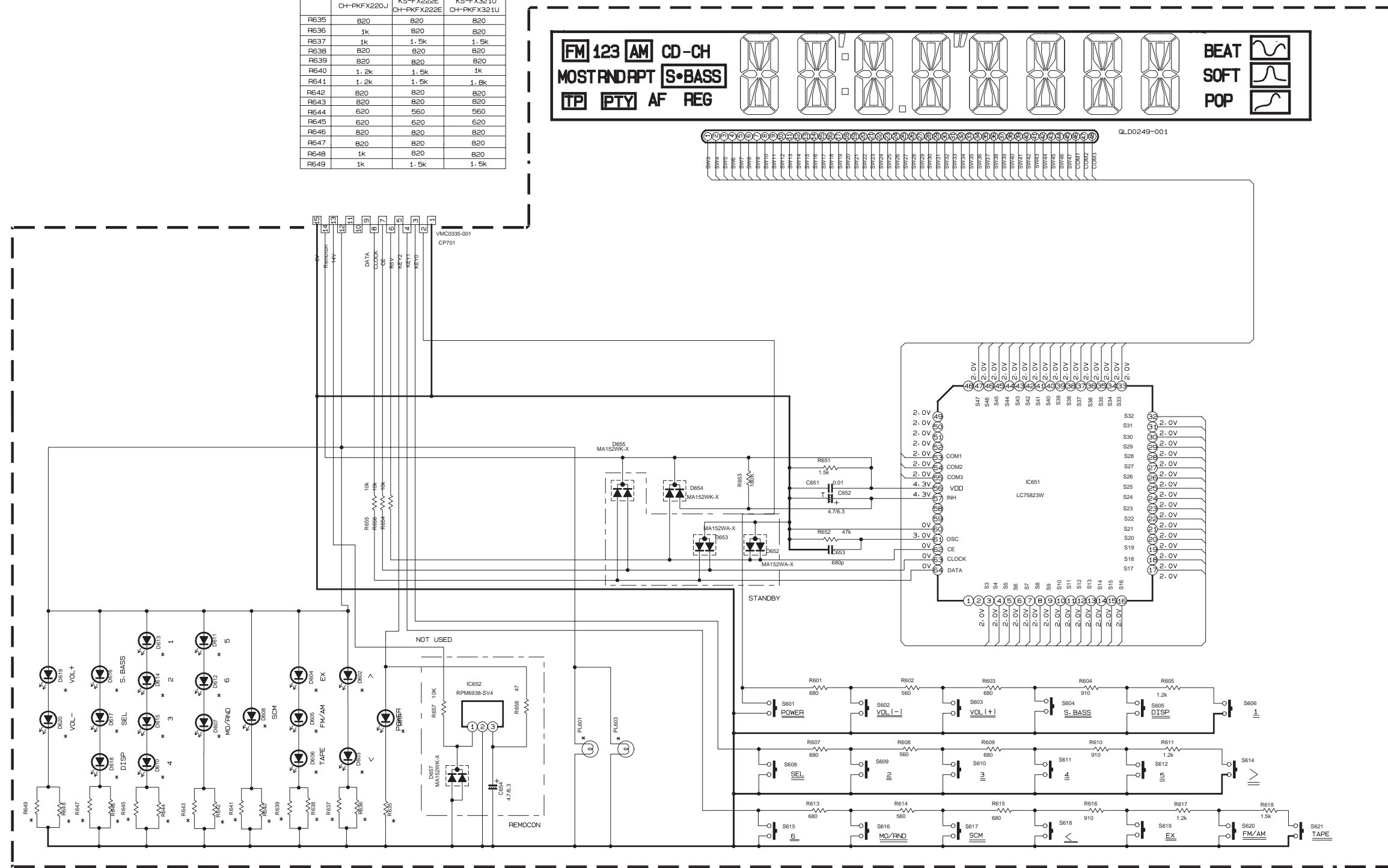
	D501	D608	OTHER	PL601 PL603
CH-PKFX220J	SML-310LT/MN/-X	LT1F67AF-W	SML-310VT/JK/-X	QLL0151-001
KS-FX321U CH-PKFX321U	SML-310LT/MN/-X	LNJ308G81/1-3/X	LNJ308G81/1-3/X	QLL0151-001
KS-FX222E CH-PKFX222E	SML-310LT/MN/-X	SML-310VT/JK/-X	LNJ308G81/1-3/X	QLL0152-001

	CH-PKFX220J	KS-FX222E CH-PKFX222E	KS-FX321U CH-PKFX321U
R635	B20	B20	B20
R636	1k	B20	B20
R637	1k	1.5k	1.5k
R638	B20	B20	B20
R639	B20	B20	B20
R640	1.2k	1.5k	1k
R641	1.2k	1.5k	1.8k
R642	B20	B20	B20
R643	B20	B20	B20
R644	B20	560	560
R645	B20	B20	B20
R646	B20	B20	B20
R647	B20	B20	B20
R648	1k	B20	B20
R649	1k	1.5k	1.5k

NOTES

1. VOLTAGES ARE DC-MEASURED WITH A DIGITAL VOLT METER WITHOUT INPUT SIGNAL.  
CONDITION - - - FM MODE
2. UNLESS OTHERWISE SPECIFIED:  
ALL RESISTORS ARE 1/4W 5% CARBON RESISTOR OR 1/4W-1/10W 5% METAL GLAZE RESISTOR.  
ALL CAPACITORS ARE 50V CERAMIC CAPACITOR.  
ALL RESISTANCE VALUES ARE IN OHM (Ω).  
ALL CAPACITANCE VALUES ARE IN μF (μF).  
ALL CAPACITORS ARE SHOWN IN THE FORM OF CAPACITANCE(μF) / RATED VOLTAGE(V).  
T-TANTALUM CAPACITOR

5  
4  
3  
2  
1



S601-S621: NSW0124-001X  
SWITCH PWB : GEB10065A

A B C D E F G H

■ Head amp section

NOTES

1. VOLTAGES ARE DC-MEASURED WITH A DIGITAL VOLT METER WITHOUT INPUT SIGNAL.  
CONDITION---FM MODE
2. UNLESS OTHERWISE SPECIFIED.  
ALL RESISTORS ARE 1/4W 5% CARBON RESISTOR OR 1/4W, 1/10W 5% METAL GLAZE RESISTOR.  
ALL CAPACITORS ARE 50V CERAMIC CAPACITOR.  
ALL RESISTANCE VALUES ARE IN OHM (Ω).  
ALL CAPACITANCE VALUES ARE IN uF (μF).  
ALL E-CAPACITORS ARE SHOW IN THE FORM OF CAPACITANCE (uF)/RATED VOLTAGE (V).

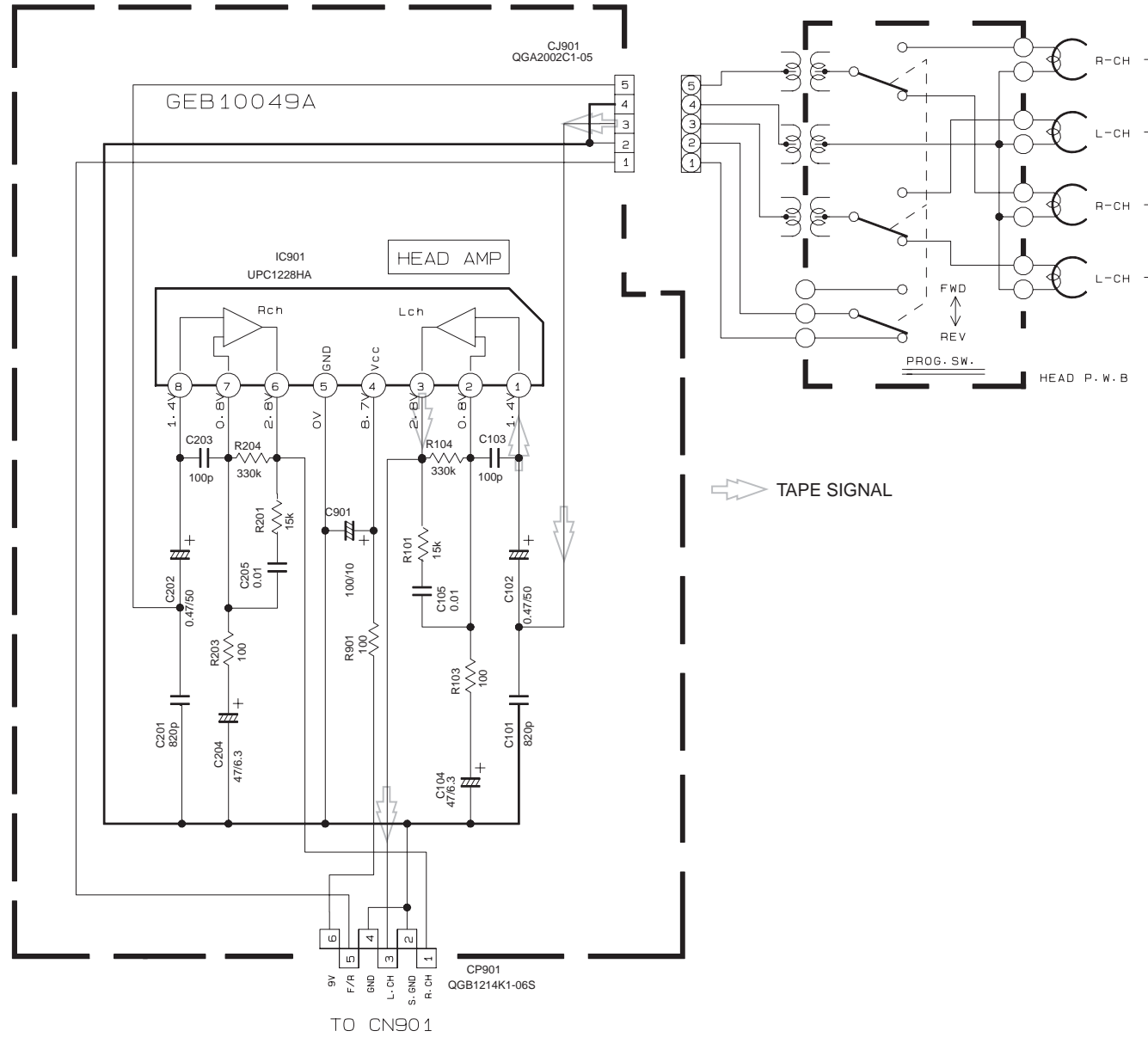
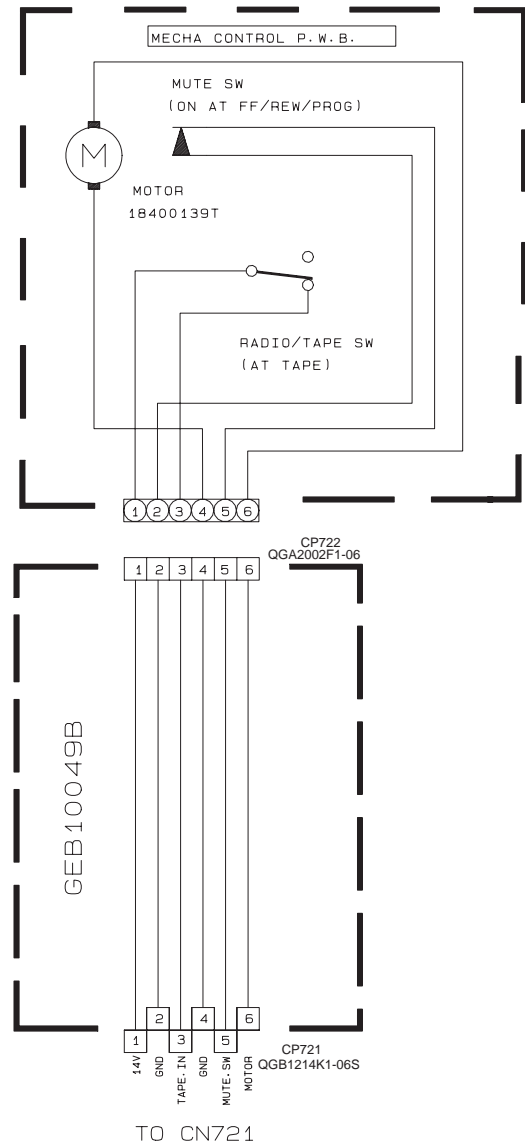
5

4

3

2

1



PWB:GEB10049

TAPE SIGNAL

A

B

C

2-4  
D

E

F

G

H

# Printed circuit boards

5

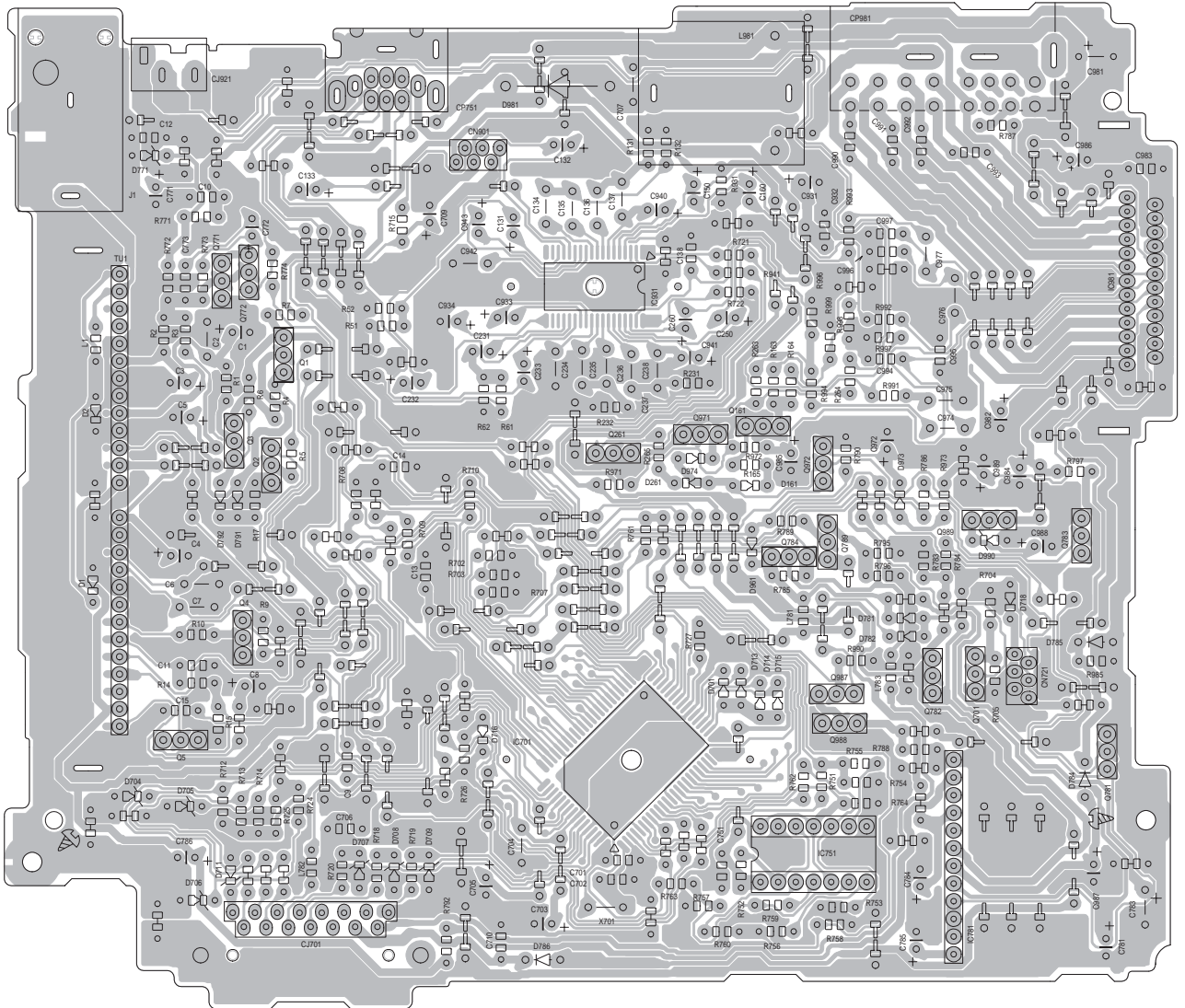
## ■ Main board

4

3

2

1



A

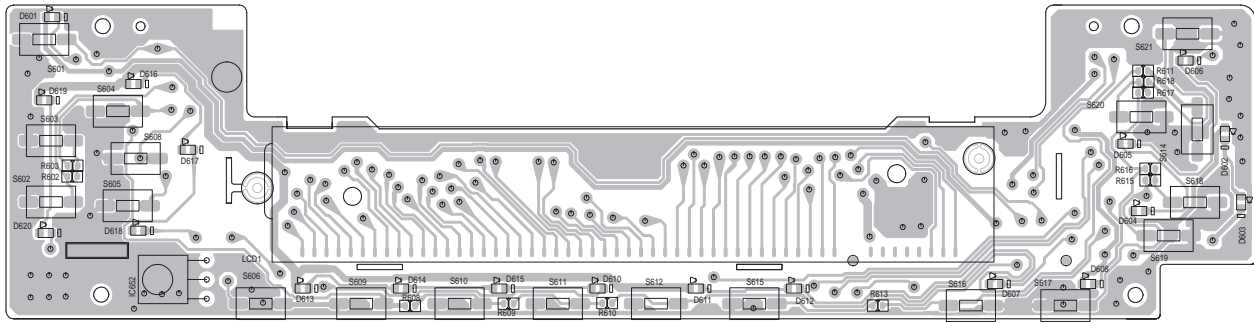
B

C

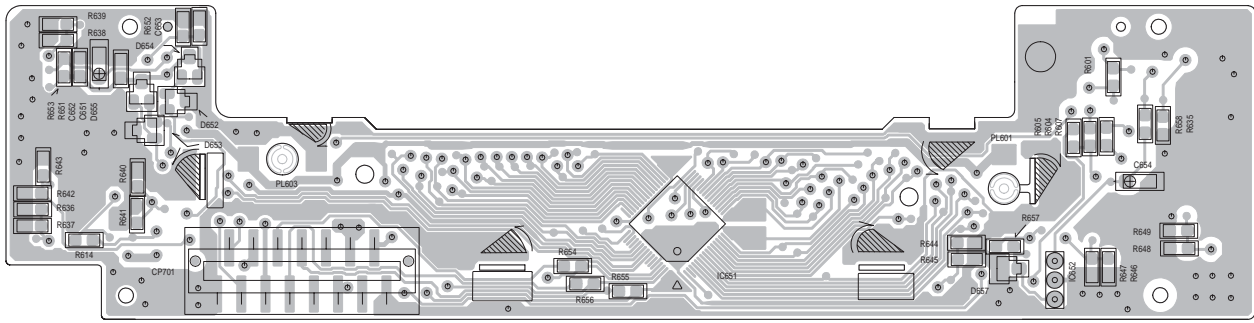
D



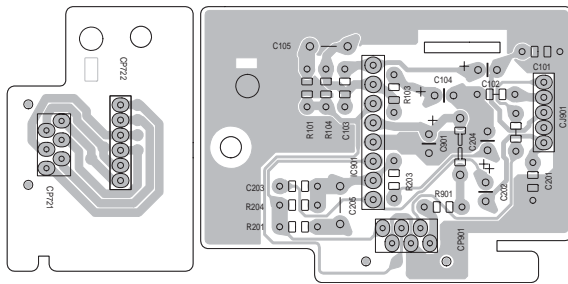
■ Front board (Forward side)



■ Front board (Reverse side)



■ Head amp. board



5

4

3

2

1

A

B

C

D



< MEMO >

KS-FX220

**JVC**

VICTOR COMPANY OF JAPAN, LIMITED

AV & MULTIMEDIA COMPANY 10-1, 1Chome, Ohwatari-machi, Maebashi-city, 371-8543, Japan

(No.49770SCH)



Printed in Japan  
2003/01

# PARTS LIST

[ KS-FX220 ]

\* All printed circuit boards and its assemblies are not available as service parts.

Area suffix

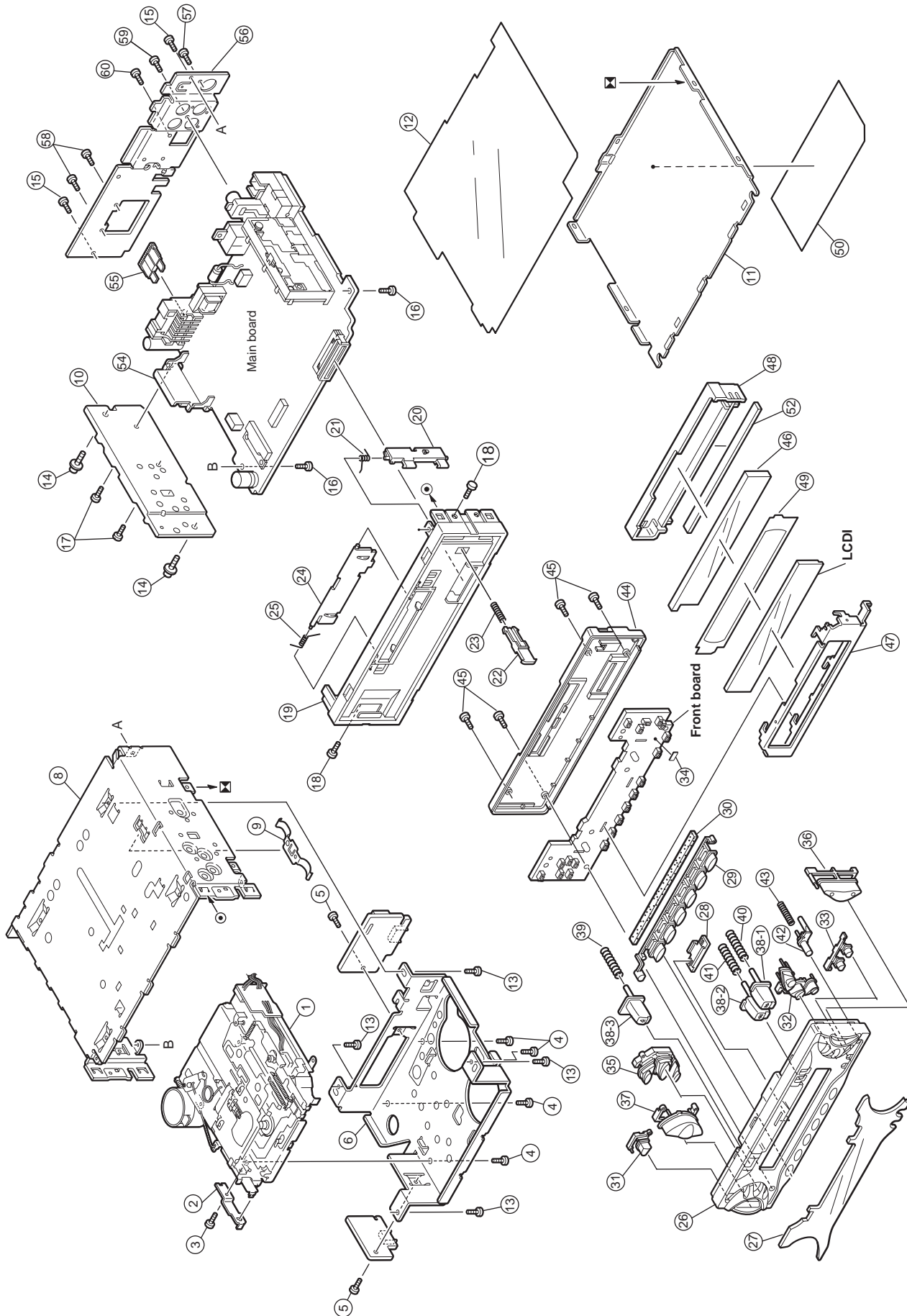
J ----- Northern America

## - Contents -

Exploded view of general assembly and parts list (Block No.M1) .....	3- 2
Cassette mechanism assembly and parts list (Block No.MP) .....	3- 5
Electrical parts list (Block No.01~03) .....	3-10
Packing materials and accessories parts list (Block No.M3,M5) .....	3-14

# Exploded view of general assembly and parts list

Block No. M 1 M M



## ■ Parts list (General assembly)

Block No. M1MM

△	Item	Parts number	Parts name	Q'ty	Description	Area
	1	-----	CDS-363SJ1	1		
	2	VKL7821-001	EJECT LEVER	1		
	3	QYSPSPT2625Z	MINI SCREW	1		
	4	QYSDSP2604Z	SCREW	4	MECHA+M.BKT	
	5	QYSDST2605Z	SCREW	2	PCB+MECHA BKT	
	6	GE20134-001A	MECHA BRACKET	1		
	8	GE10043-007A	TOP CHASSIS	1		
	9	GE40135-001A	EARTH PLATE	1		
	10	GE30568-006A	HEAT SINK	1		
	11	GE30393-001A	BOTTOM COVER	1		
	12	FSMA3004-203	INSULATOR	1		
	13	QYSDST2604Z	SCREW	4	CHASSIS+MECHA B	
	14	FSKZ4005-001	SCREW	2	CHASSIS+SIDE PA	
	15	QYSDST2604Z	SCREW	2	CHASSIS+REAR BK	
	16	QYSDST2606Z	SCREW	2	CHASSIS+MAIN PW	
	17	QYSDST2612Z	SCREW	2	SIDE PANEL+IC B	
	18	QYSDST2004M	SCREW	2	F.CHASSIS+CONEC	
	19	GE10053-001A	FRONT CHASSIS	1		
	20	GE30583-001A	LOCK LEVER	1		
	21	FSKW4005-003	TORSION SPRING	1		
	22	FSXP3026-002	RLS KNOB	1		
	23	FSKW3002-004	COMP.SPRING	1		
	24	FSJC3014-003	CASSETTE LID	1		
	25	VKW4947-002	DOOR SPRING	1		
	26	GE10051-001A	FRONT PANEL	1		
	27	GE30584-001A	FINDER ASSY	1		
	28	FSJK3014-001	LIGHT LENS	1		
	29	GE20119-001A	PRESET BUTTON	1	1-6	
	30	FSYH4036-077	SHEET	1	PRESET BUTTON	
	31	GE30304-001A	POWER BUTTON	1		
	32	GE20131-031A	D.FUNC BUTTON	1	TAPE,FM/AM,CD-C	
	33	GE30307-001A	SND FUNC BUTTON	1		
	34	FSYH4036-032	SHEET	1		
	35	GE20130-031A	PUSH BUTTON	1	LOUD,SEL,DISP	
	36	GE20120-001A	UP/DOWN BUTTON	1		
	37	GE20118-002A	+/- BUTTON	1		
	38	FSXP4007-00A	BUTTON ASSY	1	FF/REW/EJECT	
	39	FSKW3002-003	COMP. SPRING	1	FOR EJECT BUTTO	
	40	FSKW3002-003	COMP. SPRING	1	FOR FF BUTTON	
	41	FSKW3002-003	COMP. SPRING	1	FOR REW BUTTON	
	42	GE30306-001A	DETACH BUTTON	1		
	43	FSKW3002-012	COMP. SPRING	1	FOR DETACH BUTT	
	44	GE10052-001A	REAR COVER	1		
	45	VKZ4777-001	MINI SCREW	4	F.PANEL+REAR CO	
	46	FSJK3033-001	LCD LENS	1		
	47	GE30309-002A	LCD CASE	1		
	48	FSKS3020-003	LENS CASE	1		
	49	FSYH4075-003	LIGHTING SHEET	1		

**■ Parts list (General assembly)**

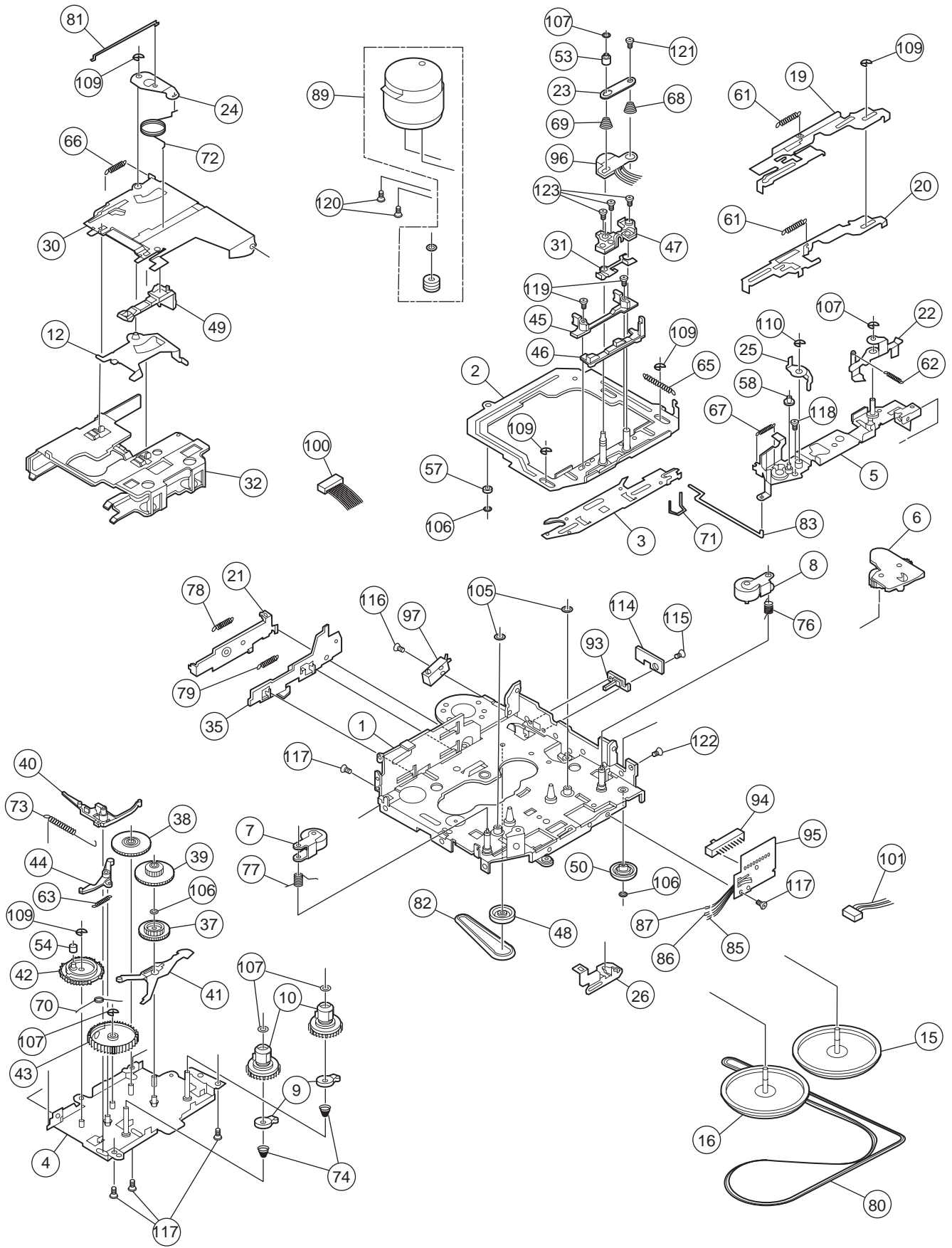
Block No. M1MM

△	Item	Parts number	Parts name	Q'ty	Description	Area
	50	GE30615-001A	NAME PLATE	1		
	52	QNZ0440-001	RUBBER CONNECTOR	1		
	54	GE40136-001A	IC BRACKET	1		
△	55	QMFZ047-150-T	FUSE	1		
	56	GE30382-013A	REAR BRACKET	1		
	57	QYSDST2606Z	SCREW	1	REAR BKT+ANT JA	
	58	QYSDSF2606Z	SCREW	2	REAR BKT+15P CN	
	59	QYSDSF2606Z	SCREW	1	REAR BKT+PIN JA	
	60	QYSDST2606Z	SCREW	1	REAR BKT+CD IN	
	38-1	FSXP3066-001	F.F.BUTTON	1		
	38-2	FSXP3067-001	REWIND BUTTON	1		
	38-3	FSXP3065-001	EJECT BUTTON	1		
	LCD 1	QLD0249-001	LCD MODULE	1		

# Cassette mechanism assembly and parts list

CDS-363SJ1

Block No. M P M M





## ■ Parts list (Cassette mechanism)

Block No. MPMM

△	Item	Parts number	Parts name	Q'ty	Description	Area
	1	X-0363-1001S	MAIN CHASSIS AS	1		
	2	X-0363-1002S	HEAD PLATE ASSY	1		
	3	X-0363-1004S	FR CONV ARM (A)	1		
	4	X-0363-6001S	REEL BASE ASSY	1		
	5	X-0363-6007S	LEVER BRKT ASSY	1		
	6	X-0363-6003S	TU GEAR ARM ASS	1		
	7	X-0363-6004S	PINCH ARM(R) AS	1		
	8	X-0363-6005S	PINCH ARM(F) AS	1		
	9	X-0363-6006S	DETECTOR CAM AS	2		
	10	X-0363-2005S	REEL SPINDLE AS	2		
	12	X-0363-1019S	EJ.CAM LOCK ASY	1		
	15	1-0363-6010S	FLYWHEEL ASSY F	1		
	16	1-0363-6011S	FLYWHEEL ASSY R	1		
	19	1-0036-1065S	FF LEVER(JVC)	1		
	20	1-0036-1066S	REW LEVER(JVC)	1		
	21	1-0036-1007S	EJECT LEVER	1		
	22	1-0036-1013S	LOCK ARM	1		
	23	1-0036-1015S	SPG SUPPORT PLT	1		
	24	1-0036-1018S	CENTER PLATE	1		
	25	1-0036-1023S	CHANGE LEVER(B)	1		
	26	1-0036-1026S	FR ARM(B)	1		
	30	1-0138-1002S	CASSETTE HANGER	1		
	31	1-0138-1006S	ADJUSTER SHIN(X	1		
	32	1-0138-1010S	CASSETTE HOLDER	1		
	35	1-0363-1003S	EJECT CAM	1		
	37	1-0036-2001S	IDLE GEAR	1		
	38	1-0036-2003S	REDUCT.GEAR(B)	1		
	39	1-0036-2004S	REDUCT.GEAR(A)	1		
	40	1-0036-2007-5S	RATCHET	1		
	41	1-0036-2009S	SENSOR ARM	1		
	42	1-0036-2010S	SELECTOR GEAR	1		
	43	1-0036-2014S	DETECTOR GEAR	1		
	44	1-0038-2014S	GEAR LOCK ARM	1		
	45	1-0038-2018S	TAPE GUIDE	1		
	46	1-0363-2006S	ADJUSTER LINK(B	1		
	47	1-0138-2005-3S	ADJUSTER ARM(B)	1		
	48	1-0036-2005S	PULLEY GEAR	1		
	49	1-0032-2007S	TAPE HOOKER	1		
	50	1-0058-2021-5S	IDLER PULLEY(A)	1		
	53	1-0363-3018S	FF ROLLER	1		
	54	1-0036-3018S	COLLER	1		
	57	1-0363-3007S	HP ROLLER(A)	1		
	58	1-0363-3011S	PROGRAM ROLLER	1		
	61	1-0036-4001S	FF/REW LEVER SP	2		
	62	1-0036-4002S	LOCK LEVER SPG	1		
	63	1-0036-4003S	GEAR LOCK ARM S	1		
	65	1-0036-4006S	HEAD PLATE SPG	1		
	66	1-0036-4007S	EJ.CAM LOCK SPG	1		

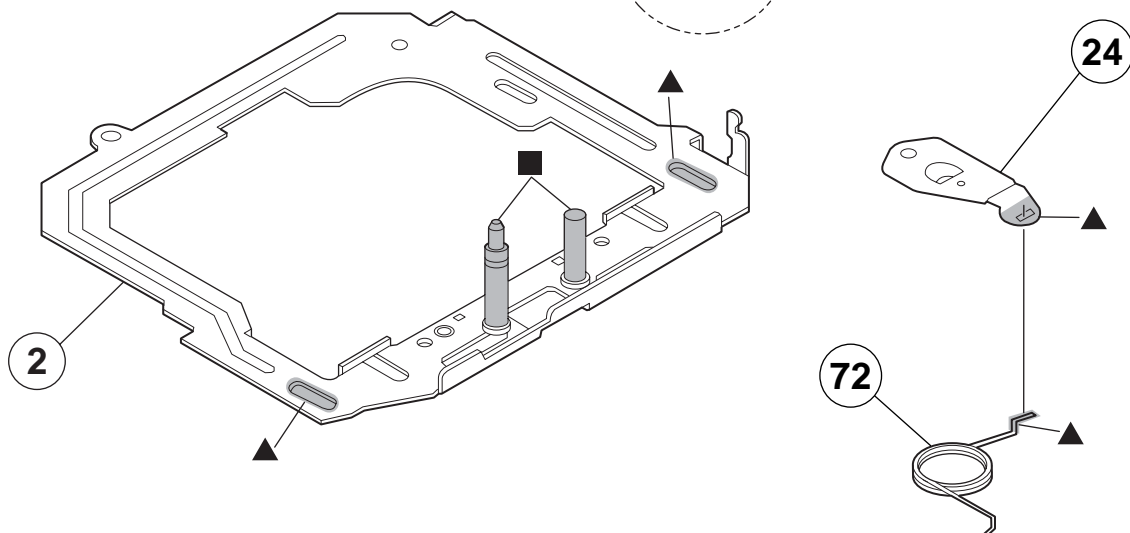
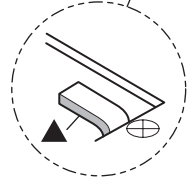
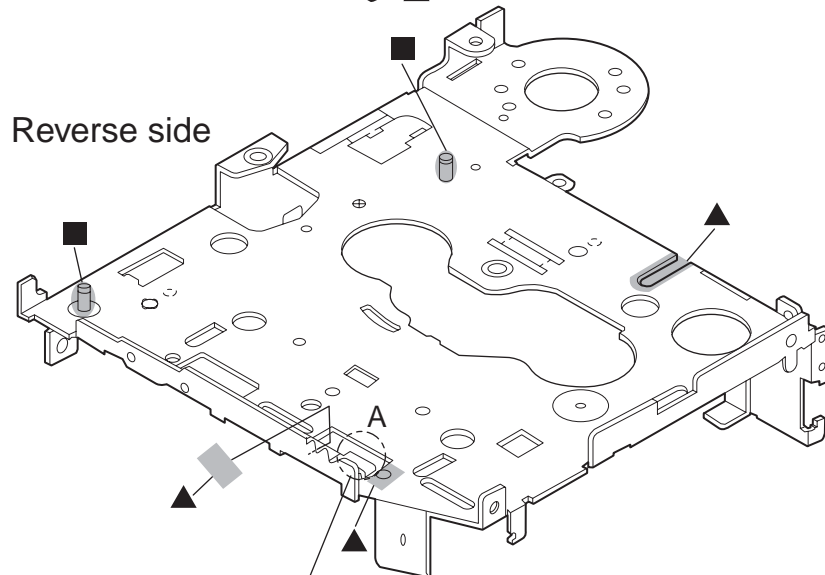
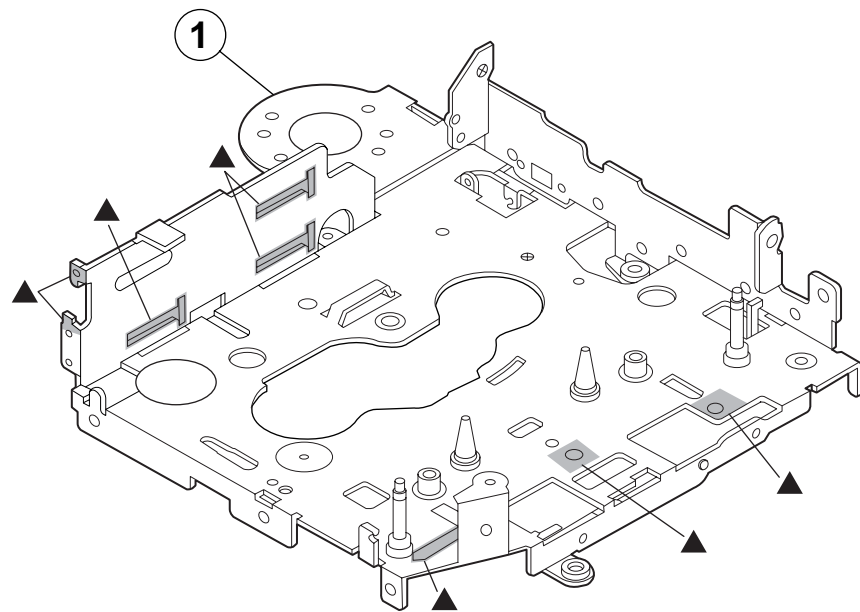
**Parts list (Cassette mechanism)**

Block No. MPMM

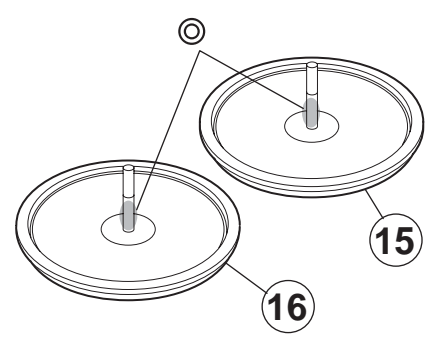
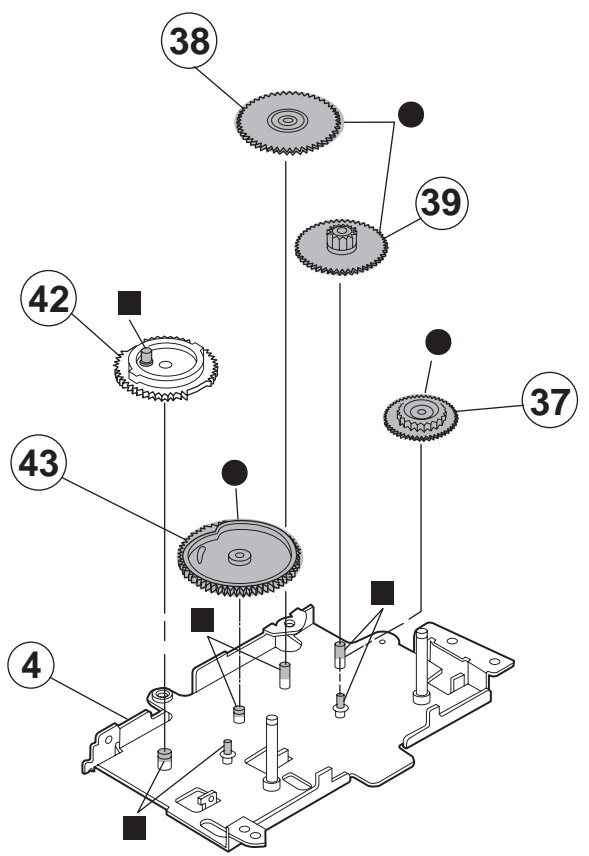
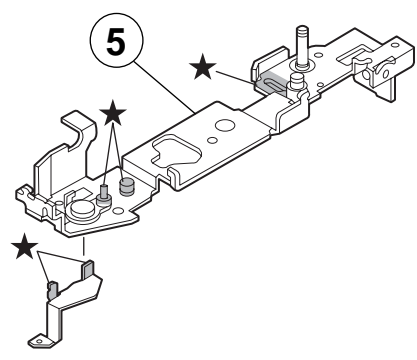
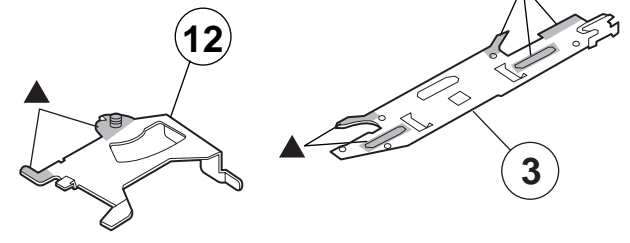
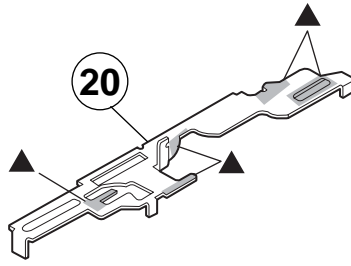
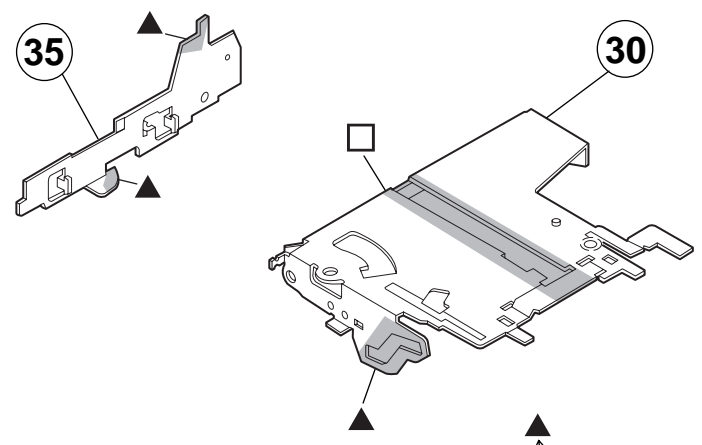
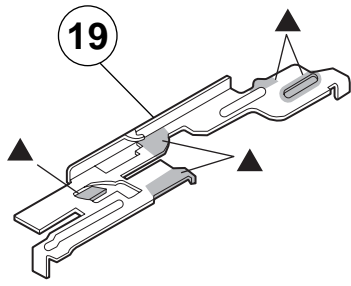
▲	Item	Parts number	Parts name	Q'ty	Description	Area
	67	1-0036-4008S	PROGRAM ARM SPG	1		
	68	1-0036-4010S	ADJUST ARM SP(A)	1		
	69	1-0036-4011S	ADJUST ARM SP(B)	1		
	70	1-0036-4015S	DASH SPG	1		
	71	1-0036-4017S	CHANGING ARM SP	1		
	72	1-0036-4023S	CENTER PLT SP(B)	1		
	73	1-0038-4014S	RATCHET SPG	1		
	74	1-0138-4001S	BACK TEMSION SP	2		
	76	1-0363-4003S	PINCH ARM SPG F	1		
	77	1-0363-4004S	PINCH ARM SPG R	1		
	78	1-0363-4005S	EJECT LEVER SPG	1		
	79	1-0036-4005S	EJECT CAM SPG	1		
	80	1-0036-5020S	MAIN BELT(AL)	1		
	81	1-0363-5007S	RETURN LINK	1		
	82	1-0036-5001S	SUB BELT	1		
	83	1-0363-5003S	SELECTOR LINK B	1		
	85	1-0036-7002S	WIRE(A)	1		
	86	1-0036-7003S	WIRE(B)	1		
	87	1-0036-7073S	WIRE(AL)	1		
	89	X-0363-7006S	MOTOR ASSY	1		
	93	1-0363-7001S	MUTE SW	1		
	94	1-0363-7002S	SLIDE SW	1		
	95	1-0363-7008S	SLIDE SW PWB	1		
	96	1-0036-7016S	HEAD	1		
	97	1-0363-7005S	POWER SW	1		
	100	1-0036-7089S	6P WIRE ASY(JVC	1		
	101	1-0036-7088S	5P WIRE ASY(JVC	1		
	105	2-1816-0032-E8S	MYLAR WASHER(S)	2		
	106	2-1812-0030-D2S	POLY WASHER(S)	3		
	107	1-0036-5024S	PSW(REEL)	5		
	109	2-1712-0050-16S	E RING	5		
	110	2-1712-5060-16S	E RING	1		
	114	1-0363-7015S	MUTE SW PWB	1		
	115	2-1331-7040-C2S	SCREW S	1		
	116	2-1331-7060-C2S	SCREW S	1		
	117	2-1382-0030-C2S	SCREW B	5		
	118	2-1332-0040-C1S	SCREW S	1		
	119	2-1032-0070-C2S	SCREW	2		
	120	2-1032-0025-C2S	SCREW	2		
	121	2-1012-0040-C2S	SCREW	1		
	122	2-1012-0030-F2S	SCREW	1		
	123	1-0138-5002S	AZIMUTH SCREW	3		

# Grease point 1/2

- | Grease |         |
|--------|---------|
| ●      | FL-942  |
| ■      | SW-902  |
| ▲      | SW-522B |
| ★      | FG-84M  |
| ◎      | C68     |
| □      | CFD-409 |



Grease point 2/2



## ■ Electrical parts list (Main board)

Block No. 01

△	Item	Parts number	Parts name	Remarks	Area
C 2	QDX11EK-223Z	C CAPACITOR			
C 3	QEKJ1HM-104Z	E CAPACITOR	.10MF 20% 50V		
C 4	QEKJ1HM-104Z	E CAPACITOR	.10MF 20% 50V		
C 5	QEKJ1CM-106Z	E CAPACITOR	10MF 20% 16V		
C 6	QDX11EK-333Z	C CAPACITOR			
C 7	QDX11EK-333Z	C CAPACITOR			
C 8	QERF1HM-104Z	E CAPACITOR	.10MF 20% 50V		
C 9	QDYB1CM-103Y	C CAPACITOR			
C 10	QCSB1HK-8R2Y	C CAPACITOR	8.2PF 10% 50V		
C 11	QDYB1CM-103Y	C CAPACITOR			
C 12	QCBB1HK-271Y	C CAPACITOR	270PF 10% 50V		
C 13	QCBB1HK-101Y	C CAPACITOR	100PF 10% 50V		
C 14	QCBB1HK-101Y	C CAPACITOR	100PF 10% 50V		
C 15	QDYB1CM-103Y	C CAPACITOR			
C 131	QERF1HM-105Z	E CAPACITOR	1.0MF 20% 50V		
C 132	QERF1HM-105Z	E CAPACITOR	1.0MF 20% 50V		
C 133	QERF1HM-105Z	E CAPACITOR	1.0MF 20% 50V		
C 134	QFV61HJ-823Z	MF CAPACITOR	.082MF 5% 50V		
C 135	QFV61HJ-823Z	MF CAPACITOR	.082MF 5% 50V		
C 136	QFVD1HJ-154Z	MF CAPACITOR	.15MF 5% 50V		
C 137	QFVD1HJ-154Z	MF CAPACITOR	.15MF 5% 50V		
C 138	QCFB1HZ-104Y	C CAPACITOR	.10MF +80:-20%		
C 150	QERF1HM-225Z	E CAPACITOR	FRONT		
C 160	QERF1HM-225Z	E CAPACITOR	REAR		
C 231	QERF1HM-105Z	E CAPACITOR	1.0MF 20% 50V		
C 232	QERF1HM-105Z	E CAPACITOR	1.0MF 20% 50V		
C 233	QERF1HM-105Z	E CAPACITOR	1.0MF 20% 50V		
C 234	QFLK1HJ-152Z	MF CAPACITOR	1500PF 5% 50V		
C 235	QFV61HJ-823Z	MF CAPACITOR	.082MF 5% 50V		
C 236	QFV61HJ-823Z	MF CAPACITOR	.082MF 5% 50V		
C 237	QFVD1HJ-154Z	MF CAPACITOR	.15MF 5% 50V		
C 238	QFVD1HJ-154Z	MF CAPACITOR	.15MF 5% 50V		
C 250	QERF1HM-225Z	E CAPACITOR	FRONT		
C 260	QERF1HM-225Z	E CAPACITOR	REAR		
C 701	QDUB1HJ-270Y	C CAPACITOR			
C 702	QDCB1HJ-220Y	C CAPACITOR			
C 703	QERF0JM-107Z	E CAPACITOR	100MF 20% 6.3V		
C 704	QFVD1HJ-224Z	MF CAPACITOR	.22MF 5% 50V		
C 705	QERF1CM-106Z	E CAPACITOR	10MF 20% 16V		
C 706	QDYB1CM-103Y	C CAPACITOR			
C 707	QFV61HJ-103Z	MF CAPACITOR	.010MF 5% 50V		
C 709	QERF1HM-474Z	E CAPACITOR	.47MF 20% 50V		
C 710	QCFB1HZ-104Y	C CAPACITOR	.10MF +80:-20%		
C 751	QDYB1CM-103Y	C CAPACITOR			
C 771	QERF1AM-227Z	E CAPACITOR	220MF 20% 10V		
C 772	QERF1HM-225Z	E CAPACITOR	2.2MF 20% 50V		
C 773	QDGB1HK-102Y	C CAPACITOR			
C 781	QEKJ1CM-106Z	E CAPACITOR	10MF 20% 16V		
C 783	QETN0JM-228Z	E CAPACITOR	2200MF 20% 6.3V		
C 784	QERF1AM-227Z	E CAPACITOR	220MF 20% 10V		
C 785	QERF1CM-106Z	E CAPACITOR	10MF 20% 16V		
C 786	QERF1AM-227Z	E CAPACITOR	220MF 20% 10V		
C 931	QEKJ1AM-107Z	E CAPACITOR	100MF 20% 10V		
C 932	QCFB1HZ-104Y	C CAPACITOR	.10MF +80:-20%		
C 933	QERF1HM-105Z	E CAPACITOR	1.0MF 20% 50V		
C 934	QERF1CM-226Z	E CAPACITOR	22MF 20% 16V		
C 940	QERF1HM-105Z	E CAPACITOR	1.0MF 20% 50V		
C 941	QERF1HM-105Z	E CAPACITOR	1.0MF 20% 50V		
C 942	QFLK1HJ-152Z	MF CAPACITOR	1500PF 5% 50V		
C 943	QERF1HM-105Z	E CAPACITOR	1.0MF 20% 50V		
C 972	QERF1AM-227Z	E CAPACITOR	220MF 20% 10V		
C 974	QFVD1HJ-224Z	MF CAPACITOR	.22MF 5% 50V		
C 975	QFVD1HJ-224Z	MF CAPACITOR	.22MF 5% 50V		
C 976	QFVD1HJ-224Z	MF CAPACITOR	.22MF 5% 50V		
C 977	QFVD1HJ-224Z	MF CAPACITOR	.22MF 5% 50V		
C 981	QEZO615-228	E CAPACITOR	2200MF		

△	Item	Parts number	Parts name	Remarks	Area
C 982	QERF1CM-476Z	E CAPACITOR	47MF 20% 16V		
C 983	QCFB1HZ-104Y	C CAPACITOR	.10MF +80:-20%		
C 984	QERF1CM-106Z	E CAPACITOR	10MF 20% 16V		
C 985	QERF1EM-475Z	E CAPACITOR	4.7MF 20% 25V		
C 986	QERF1CM-226Z	E CAPACITOR	22MF 20% 16V		
C 987	QEKJ1CM-106Z	E CAPACITOR	10MF 20% 16V		
C 988	QERF1CM-476Z	E CAPACITOR	47MF 20% 16V		
C 989	QERF1CM-106Z	E CAPACITOR	10MF 20% 16V		
C 990	QCFB1HZ-104Y	C CAPACITOR	.10MF +80:-20%		
C 991	QCFB1HZ-104Y	C CAPACITOR	.10MF +80:-20%		
C 992	QCFB1HZ-104Y	C CAPACITOR	.10MF +80:-20%		
C 993	QCFB1HZ-104Y	C CAPACITOR	.10MF +80:-20%		
C 994	QCBB1HK-471Y	C CAPACITOR	FRONT		
C 995	QCBB1HK-471Y	C CAPACITOR	REAR		
C 996	QCBB1HK-471Y	C CAPACITOR	REAR		
C 997	QCBB1HK-471Y	C CAPACITOR	FRONT		
CJ701	VMC0334-001	CONNECTOR	TO FRONT PANEL		
CJ921	QNN0519-001	PIN JACK			
CN721	QGB1214J1-06S	CONNECTOR	TO MECHA		
CN901	QGB1214J1-06S	CONNECTOR	TO MECHA		
CP751	QNZ0095-001	CONNECTOR	CH CONNECTOR		
CP981	QNZ0611-001	CAR CONNECTOR			
D 1	1SS119-041	SI DIODE			
D 2	1SS119-041	SI DIODE			
D 161	1SS119-041	SI DIODE	REAR		
D 261	1SS119-041	SI DIODE	REAR		
D 701	1SS119-041	SI DIODE	CD CHANGER		
D 704	MTZJ6.2B-T2	ZENER DIODE			
D 705	MTZJ6.2B-T2	ZENER DIODE			
D 706	MTZJ6.2B-T2	ZENER DIODE			
D 707	MTZJ6.2B-T2	ZENER DIODE			
D 708	MTZJ6.2B-T2	ZENER DIODE			
D 709	MTZJ6.2B-T2	ZENER DIODE			
D 711	MTZJ6.2B-T2	ZENER DIODE			
D 713	1SS119-041	SI DIODE			
D 716	1SS119-041	SI DIODE			
D 718	1SS119-041	SI DIODE			
D 771	MTZJ9.1C-T2	ZENER DIODE			
D 781	1SS119-041	SI DIODE			
D 782	1SS119-041	SI DIODE			
D 784	1A3G-T1	SI DIODE			
D 785	1A3G-T1	SI DIODE			
D 786	1A3G-T1	SI DIODE			
D 791	1SS119-041	SI DIODE			
D 792	1SS119-041	SI DIODE			
D 961	RB721Q-40-T2	SI DIODE			
D 973	1SS119-041	SI DIODE			
D 974	1SS119-041	SI DIODE			
D 981	1N5401-TM	DIODE			
D 990	MTZJ11B-T2	ZENER DIODE			
IC701	LC72362N-9B39	IC			
IC751	HD74HC126P	IC	CD-CH		
IC781	AN80T05LF	IC	REGULATOR		
IC931	LC75421M-X	IC			
IC981	LA4743K	IC			
J 1	QNZ0009-001	CAR ANT JACK			
L 1	QQL231K-4R7Y	INDUCTOR			
L 781	QQL231K-470Y	INDUCTOR			
L 782	QQL231K-470Y	INDUCTOR			
L 783	QQL231K-470Y	INDUCTOR			
L 981	QQR1367-001	CHOKE COIL			
Q 1	2SA1706/ST/-T	TRANSISTOR			
Q 2	KRC102M-T	D.TRANSISTOR			
Q 3	KTA1267/YG/-T	TRANSISTOR			
Q 4	KRC102M-T	D.TRANSISTOR			
Q 5	KRC102M-T	D.TRANSISTOR			

## ■ Electrical parts list (Main board)

Block No. 01

△	Item	Parts number	Parts name	Remarks	Area
	Q 161	2SD2144S/VW/-T	TRANSISTOR	REAR	
	Q 261	2SD2144S/VW/-T	TRANSISTOR	REAR	
	Q 701	KTC3199/GL/-T	TRANSISTOR		
	Q 771	KTC3199/GL/-T	TRANSISTOR		
	Q 772	KTC3199/GL/-T	TRANSISTOR		
	Q 781	KRC102M-T	D.TRANSISTOR		
	Q 782	2SA1706/ST/-T	TRANSISTOR		
	Q 783	KRC102M-T	D.TRANSISTOR		
	Q 784	2SA1706/ST/-T	TRANSISTOR		
	Q 789	KRA102M-T	D.TRANSISTOR		
	Q 971	KRC102M-T	D.TRANSISTOR		
	Q 972	KRA102M-T	D.TRANSISTOR		
	Q 987	KRA102M-T	D.TRANSISTOR		
	Q 988	KRC102M-T	D.TRANSISTOR		
	Q 989	KRA102M-T	D.TRANSISTOR		
	R 1	QRE141J-100Y	C RESISTOR	10 5% 1/4W	
	R 2	QRE141J-102Y	C RESISTOR	1.0K 5% 1/4W	
	R 3	QRE141J-102Y	C RESISTOR	1.0K 5% 1/4W	
	R 4	QRE141J-103Y	C RESISTOR	10K 5% 1/4W	
	R 5	QRE141J-102Y	C RESISTOR	1.0K 5% 1/4W	
	R 6	QRE141J-103Y	C RESISTOR	10K 5% 1/4W	
	R 9	QRE141J-103Y	C RESISTOR	10K 5% 1/4W	
	R 10	QRE141J-103Y	C RESISTOR	10K 5% 1/4W	
	R 14	QRE141J-822Y	C RESISTOR	8.2K 5% 1/4W	
	R 15	QRE141J-223Y	C RESISTOR	22K 5% 1/4W	
	R 17	QRE141J-222Y	C RESISTOR	2.2K 5% 1/4W	
	R 51	QRE141J-222Y	C RESISTOR	2.2K 5% 1/4W	
	R 52	QRE141J-472Y	C RESISTOR	4.7K 5% 1/4W	
	R 61	QRE141J-222Y	C RESISTOR	2.2K 5% 1/4W	
	R 62	QRE141J-472Y	C RESISTOR	4.7K 5% 1/4W	
	R 131	QRE141J-392Y	C RESISTOR	3.9K 5% 1/4W	
	R 132	QRE141J-752Y	C RESISTOR	7.5K 5% 1/4W	
	R 163	QRE141J-821Y	C RESISTOR	REAR	
	R 164	QRE141J-101Y	C RESISTOR	REAR	
	R 165	QRE141J-222Y	C RESISTOR	REAR	
	R 231	QRE141J-392Y	C RESISTOR	3.9K 5% 1/4W	
	R 232	QRE141J-752Y	C RESISTOR	7.5K 5% 1/4W	
	R 263	QRE141J-821Y	C RESISTOR	REAR	
	R 264	QRE141J-101Y	C RESISTOR	REAR	
	R 265	QRE141J-222Y	C RESISTOR	REAR	
	R 702	QRE141J-473Y	C RESISTOR	MSIN	
	R 703	QRE141J-473Y	C RESISTOR	F/R	
	R 704	QRE141J-103Y	C RESISTOR	TO MECHA	
	R 705	QRE141J-473Y	C RESISTOR	TO MECHA	
	R 707	QRE141J-473Y	C RESISTOR	TAPEIN	
	R 708	QRE141J-473Y	C RESISTOR	SD/ST	
	R 709	QRE141J-472Y	C RESISTOR	MUTE	
	R 710	QRE141J-472Y	C RESISTOR	FM/AM	
	R 712	QRE141J-472Y	C RESISTOR	KEY2	
	R 713	QRE141J-472Y	C RESISTOR	KEY1	
	R 714	QRE141J-472Y	C RESISTOR	KEY0	
	R 715	QRE141J-222Y	C RESISTOR	SWI BOARD-PULL	
	R 718	QRE141J-332Y	C RESISTOR	3.3K 5% 1/4W	
	R 719	QRE141J-332Y	C RESISTOR	3.3K 5% 1/4W	
	R 720	QRE141J-332Y	C RESISTOR	3.3K 5% 1/4W	
	R 721	QRE141J-332Y	C RESISTOR	3.3K 5% 1/4W	
	R 722	QRE141J-332Y	C RESISTOR	3.3K 5% 1/4W	
	R 724	QRE141J-472Y	C RESISTOR	4.7K 5% 1/4W	
	R 725	QRE141J-473Y	C RESISTOR	47K 5% 1/4W	
	R 726	QRE141J-473Y	C RESISTOR	47K 5% 1/4W	
	R 727	QRE141J-473Y	C RESISTOR	47K 5% 1/4W	
	R 751	QRE141J-102Y	C RESISTOR	1.0K 5% 1/4W	
	R 752	QRE141J-103Y	C RESISTOR	10K 5% 1/4W	
	R 753	QRE141J-473Y	C RESISTOR	47K 5% 1/4W	
	R 754	QRE141J-334Y	C RESISTOR	330K 5% 1/4W	
	R 755	QRE141J-101Y	C RESISTOR	100 5% 1/4W	

△	Item	Parts number	Parts name	Remarks	Area
	R 756	QRE141J-101Y	C RESISTOR	100 5% 1/4W	
	R 757	QRE141J-473Y	C RESISTOR	47K 5% 1/4W	
	R 758	QRE141J-473Y	C RESISTOR	47K 5% 1/4W	
	R 759	QRE141J-101Y	C RESISTOR	100 5% 1/4W	
	R 760	QRE141J-103Y	C RESISTOR	10K 5% 1/4W	
	R 761	QRE141J-102Y	C RESISTOR	1.0K 5% 1/4W	
	R 762	QRE141J-102Y	C RESISTOR	1.0K 5% 1/4W	
	R 763	QRE141J-102Y	C RESISTOR	1.0K 5% 1/4W	
	R 764	QRE141J-473Y	C RESISTOR	47K 5% 1/4W	
	R 771	QRE141J-472Y	C RESISTOR	47K 5% 1/4W	
	R 772	QRE141J-103Y	C RESISTOR	10K 5% 1/4W	
	R 773	QRE141J-102Y	C RESISTOR	1.0K 5% 1/4W	
	R 774	QRE141J-152Y	C RESISTOR	1.5K 5% 1/4W	
	R 783	QRE141J-473Y	C RESISTOR	47K 5% 1/4W	
	R 784	QRE141J-102Y	C RESISTOR	1.0K 5% 1/4W	
	R 785	QRE141J-473Y	C RESISTOR	47K 5% 1/4W	
	R 786	QRE141J-102Y	C RESISTOR	1.0K 5% 1/4W	
	R 787	QRE141J-101Y	C RESISTOR	100 5% 1/4W	
	R 788	QRE141J-242Y	C RESISTOR	2.4K 5% 1/4W	
	R 789	QRE141J-104Y	C RESISTOR	100K 5% 1/4W	
	R 790	QRE141J-474Y	C RESISTOR	470K 5% 1/4W	
	R 792	QRE141J-6R8Y	C RESISTOR	6.8 5% 1/4W	
	R 795	QRE141J-183Y	C RESISTOR	18K 5% 1/4W	
	R 796	QRE141J-473Y	C RESISTOR	47K 5% 1/4W	
	R 797	QRE141J-123Y	C RESISTOR	12K 5% 1/4W	
	R 931	QRE141J-100Y	C RESISTOR	10 5% 1/4W	
	R 941	QRE141J-332Y	C RESISTOR	3.3K 5% 1/4W	
	R 972	QRE141J-272Y	C RESISTOR	2.7K 5% 1/4W	
	R 973	QRE141J-472Y	C RESISTOR	4.7K 5% 1/4W	
	R 985	QRE141J-472Y	C RESISTOR	4.7K 5% 1/4W	
	R 990	QRE141J-103Y	C RESISTOR	10K 5% 1/4W	
	R 991	QRE141J-273Y	C RESISTOR	REAR	
	R 992	QRE141J-273Y	C RESISTOR	REAR	
	R 993	QRE141J-273Y	C RESISTOR	FRONT	
	R 994	QRE141J-273Y	C RESISTOR	FRONT	
	R 996	QRE141J-473Y	C RESISTOR	47K 5% 1/4W	
	R 997	QRE141J-473Y	C RESISTOR	47K 5% 1/4W	
	R 998	QRE141J-473Y	C RESISTOR	47K 5% 1/4W	
	R 999	QRE141J-473Y	C RESISTOR	47K 5% 1/4W	
	TU 1	QAU0281-001	TUNER PACK		
	X 701	QAX0406-001Z	CRYSTAL		

■ Electrical parts list (Mecha board)

Block No. 02

△	Item	Parts number	Parts name	Remarks	Area
	C 101	QDGB1HK-821Y	C CAPACITOR		
	C 102	QEKJ1HM-474Z	E CAPACITOR	.47MF 20% 50V	
	C 103	QCBB1HK-101Y	C CAPACITOR	100PF 10% 50V	
	C 104	QEKJ0JM-476Z	E CAPACITOR	47MF 20% 6.3V	
	C 105	QFV61HJ-103Z	MF CAPACITOR	.010MF 5% 50V	
	C 201	QDGB1HK-821Y	C CAPACITOR		
	C 202	QERF1HM-474Z	E CAPACITOR	.47MF 20% 50V	
	C 203	QCBB1HK-101Y	C CAPACITOR	100PF 10% 50V	
	C 204	QEKJ0JM-476Z	E CAPACITOR	47MF 20% 6.3V	
	C 205	QFV61HJ-103Z	MF CAPACITOR	.010MF 5% 50V	
	C 901	QEKJ1AM-107Z	E CAPACITOR	100MF 20% 10V	
	CJ901	QGA2002C1-05	CONNECTOR		
	CP721	QGB1214K1-06S	CONNECTOR		
	CP722	QGA2002F1-06	CONNECTOR		
	CP901	QGB1214K1-06S	CONNECTOR		
	IC901	UPC1228HA	IC		
	R 101	QRE141J-153Y	C RESISTOR	15K 5% 1/4W	
	R 103	QRE141J-101Y	C RESISTOR	100 5% 1/4W	
	R 104	QRE141J-334Y	C RESISTOR	330K 5% 1/4W	
	R 201	QRE141J-153Y	C RESISTOR	15K 5% 1/4W	
	R 203	QRE141J-101Y	C RESISTOR	100 5% 1/4W	
	R 204	QRE141J-334Y	C RESISTOR	330K 5% 1/4W	
	R 901	QRE141J-101Y	C RESISTOR	100 5% 1/4W	



## ■ Electrical parts list (Front board)

Block No. 03

△	Item	Parts number	Parts name	Remarks	Area	△	Item	Parts number	Parts name	Remarks	Area
	C 651	NCB31EK-103X	C.CAPACITOR				S 604	NSW0124-001X	TACT SW		
	C 652	NBE20JM-475X	TS E CAPACITOR				S 605	NSW0124-001X	TACT SW		
	C 653	NCB31HK-681X	C CAPACITOR				S 606	NSW0124-001X	TACT SW		
	CP701	VMC0335-001	CONNECTOR				S 608	NSW0124-001X	TACT SW		
	D 601	SML-310LT/MN/-X	LED				S 609	NSW0124-001X	TACT SW		
	D 602	SML-310VT/JK/-X	LED				S 610	NSW0124-001X	TACT SW		
	D 603	SML-310VT/JK/-X	LED				S 611	NSW0124-001X	TACT SW		
	D 604	SML-310VT/JK/-X	LED				S 612	NSW0124-001X	TACT SW		
	D 605	SML-310VT/JK/-X	LED				S 614	NSW0124-001X	TACT SW		
	D 606	SML-310VT/JK/-X	LED				S 615	NSW0124-001X	TACT SW		
	D 607	SML-310VT/JK/-X	LED				S 616	NSW0124-001X	TACT SW		
	D 608	LT1F67AF-W	LED				S 617	NSW0124-001X	TACT SW		
	D 610	SML-310VT/JK/-X	LED				S 618	NSW0124-001X	TACT SW		
	D 611	SML-310VT/JK/-X	LED				S 619	NSW0124-001X	TACT SW		
	D 612	SML-310VT/JK/-X	LED				S 620	NSW0124-001X	TACT SW		
	D 613	SML-310VT/JK/-X	LED				S 621	NSW0124-001X	TACT SW		
	D 614	SML-310VT/JK/-X	LED								
	D 615	SML-310VT/JK/-X	LED								
	D 616	SML-310VT/JK/-X	LED								
	D 617	SML-310VT/JK/-X	LED								
	D 618	SML-310VT/JK/-X	LED								
	D 619	SML-310VT/JK/-X	LED								
	D 620	SML-310VT/JK/-X	LED								
	IC651	LC75823W	IC								
	PL601	QLL0151-001	PILOT LAMP								
	PL603	QLL0151-001	PILOT LAMP								
	R 601	NRSA63J-681X	MG RESISTOR								
	R 602	NRSA63J-561X	MG RESISTOR								
	R 603	NRSA63J-681X	MG RESISTOR								
	R 604	NRSA63J-911X	MG RESISTOR								
	R 605	NRSA63J-122X	MG RESISTOR								
	R 607	NRSA63J-681X	MG RESISTOR								
	R 608	NRSA63J-561X	MG RESISTOR								
	R 609	NRSA63J-681X	MG RESISTOR								
	R 610	NRSA63J-911X	MG RESISTOR								
	R 611	NRSA63J-122X	MG RESISTOR								
	R 613	NRSA63J-681X	MG RESISTOR								
	R 614	NRSA63J-561X	MG RESISTOR								
	R 615	NRSA63J-681X	MG RESISTOR								
	R 616	NRSA63J-911X	MG RESISTOR								
	R 617	NRSA63J-122X	MG RESISTOR								
	R 618	NRSA63J-152X	MG RESISTOR								
	R 635	NRSA02J-821X	MG RESISTOR								
	R 636	NRSA02J-102X	MG RESISTOR								
	R 637	NRSA02J-102X	MG RESISTOR								
	R 638	NRSA02J-821X	MG RESISTOR								
	R 639	NRSA02J-821X	MG RESISTOR								
	R 640	NRSA02J-122X	MG RESISTOR								
	R 641	NRSA02J-122X	MG RESISTOR								
	R 642	NRSA02J-821X	MG RESISTOR								
	R 643	NRSA02J-821X	MG RESISTOR								
	R 644	NRSA02J-621X	MG RESISTOR								
	R 645	NRSA02J-621X	MG RESISTOR								
	R 646	NRSA02J-821X	MG RESISTOR								
	R 647	NRSA02J-821X	MG RESISTOR								
	R 648	NRSA02J-102X	MG RESISTOR								
	R 649	NRSA02J-102X	MG RESISTOR								
	R 651	NRSA02J-152X	MG RESISTOR								
	R 652	NRSA02J-473X	MG RESISTOR								
	R 653	NRSA02J-184X	MG RESISTOR								
	R 654	NRSA02J-103X	MG RESISTOR								
	R 655	NRSA02J-103X	MG RESISTOR								
	R 656	NRSA02J-103X	MG RESISTOR								
	S 601	NSW0124-001X	TACT SW								
	S 602	NSW0124-001X	TACT SW								
	S 603	NSW0124-001X	TACT SW								

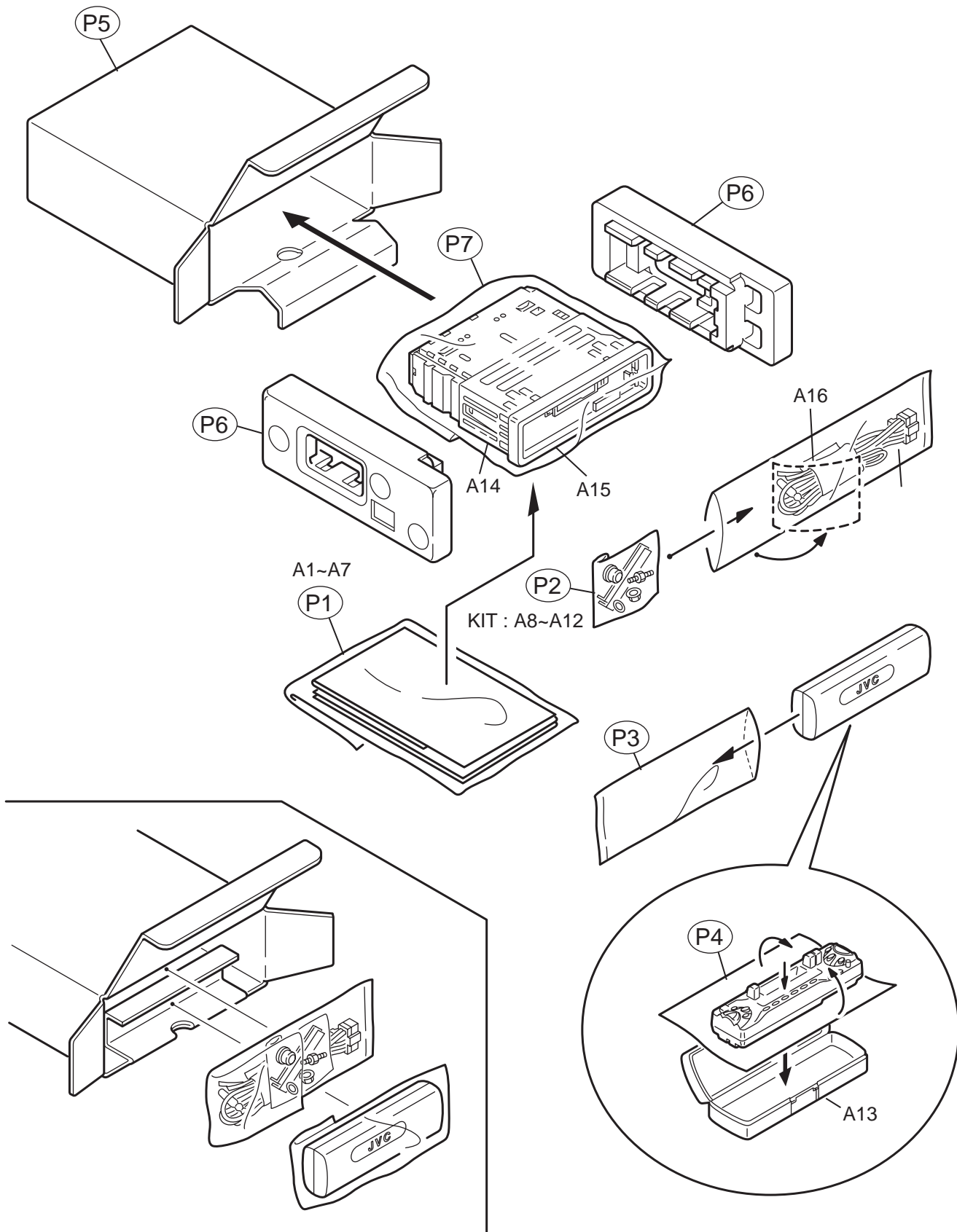
# Packing materials and accessories parts list

Block No. 

M	3	M	M
---	---	---	---

Block No. 

M	5	M	M
---	---	---	---



## ■ Parts list (Packing)

Block No. M3MM

△	Item	Parts number	Parts name	Q'ty	Description	Area
	P 1	FSPG4002-001	POLY BAG	1	INST.BOOK	
	P 2	QPA00801205	POLY BAG	1		
	P 3	QPA01003003	POLY BAG	1		
	P 4	FSYH4036-068	SHEET	1		
	P 5	GE30616-001A	CARTON	1		
	P 6	GE10047-001A	EPS CUSHION	2	LEFT/RIGHT SIDE	
	P 7	QPC03004315P	POLY BAG	1		

## ■ Parts list (Accessories)

Block No. M5MM

△	Item	Parts number	Parts name	Q'ty	Description	Area
	A 1	GET0106-001A	INST BOOK	1	ENG.SPA.FRA	
	A 2	GET0106-002A	INSTALLATION	1	ENG.SPA.FRA	
	A 3	LVT0717-002B	TROUBLE SHEET(C	1		
	A 4	BT-51018-3	WARRANTY CARD	1	FOR J	
	A 5	BT-52006-2	WARRANTY CARD	1	FOR C	
	A 6	BT-51028-2	J=REGIST CARD	1	FOR J	
	A 7	BT-20071B	JVC CENTER LIST	1	FOR C	
	A 8	VKZ4027-202	PLUG NUT	1		
	A 9	VKH4871-001SS	MOUNT BOLT	1		
	A 10	VKZ4328-001	LOCK NUT	1	FOR M5	
	A 11	WNS5000Z	WASHER	1		
	A 12	GE40130-001A	HOOK	2		
	A 13	FSJB3002-30C	HARD CASE	1		
	A 14	GE20137-003A	MOUNTING SLEEVE	1		
	A 15	GE20135-001A	TRIM PLATE	1		
	A 16	QAM0013-006	16P CORD ASS'Y	1		
	K I T	KSFX480K-SCREW1	SCREW PARTS KIT	1	A8-A12	